

**Wheel drives**




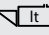
***dinamic oil***



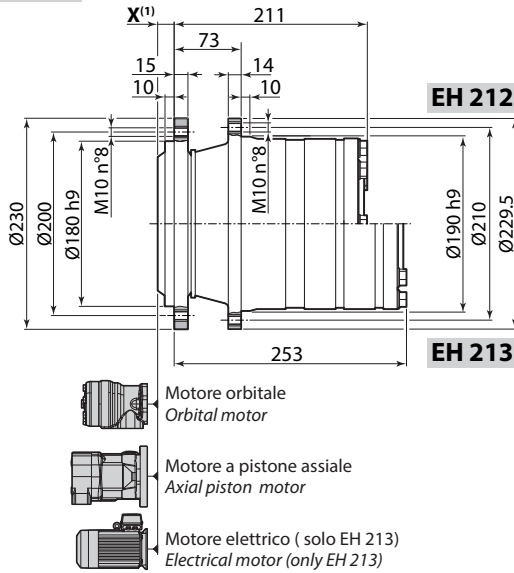
**Wheel & Track Drives**
**Dati tecnici / Technical Data**

<b>EH 210</b>	2
<b>EH 240</b>	3
<b>EH 350</b>	4
<b>EH 610</b>	5
<b>EH 910</b>	6
<b>EHE - Elettriche / Electric</b>	7
<b>Accessori / Accessory</b>	8

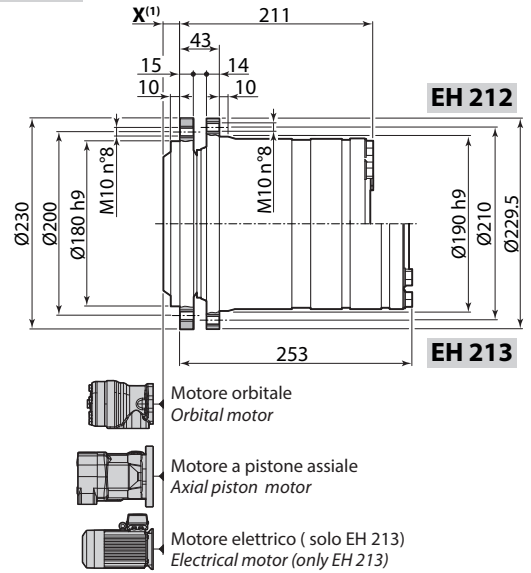
**Definizioni tecniche / Technical Definitions:**

<b>Simboli Symbols</b>	<b>Unità di misura Unit of measure</b>	<b>Descrizione</b>	<b>Description</b>
<b>i</b>	-	Rapporto di riduzione	<i>Reduction ratio</i>
<b>T<sub>2</sub>max</b>	[Nm]	Coppia massima in uscita	<i>Maximum output torque</i>
<b>n<sub>1</sub>max</b>	[rpm]	Velocità massima in ingresso	<i>Maximum input speed</i>
	[kg]	Peso	<i>Weight</i>
	[lt]	Quantità di lubrificante	<i>Amount of lubricant</i>

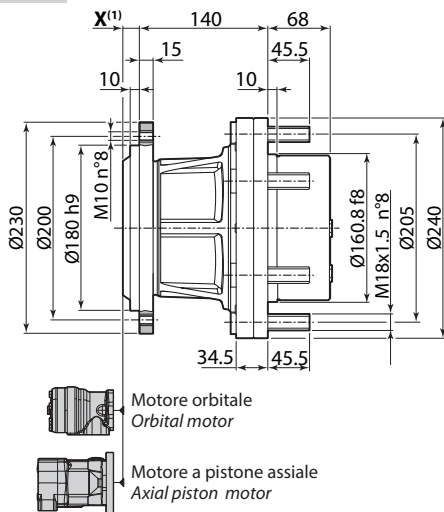
## EH 210 S



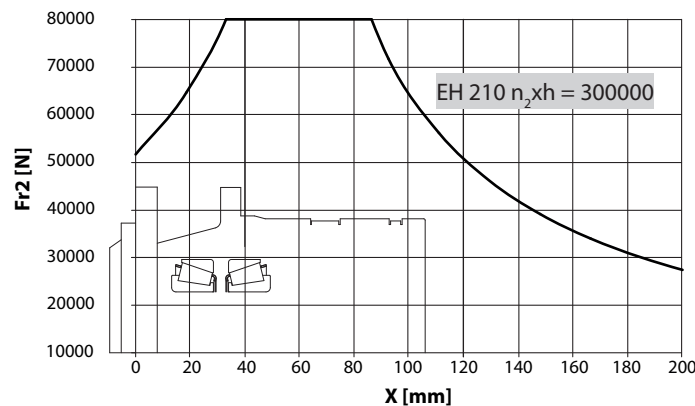
## EH 210 SC



## EH 210 PD

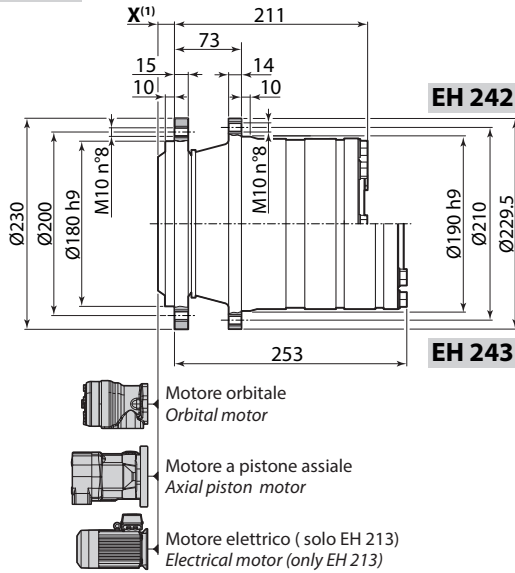


(1) Dipende dal tipo di motore  
*According to motor type*

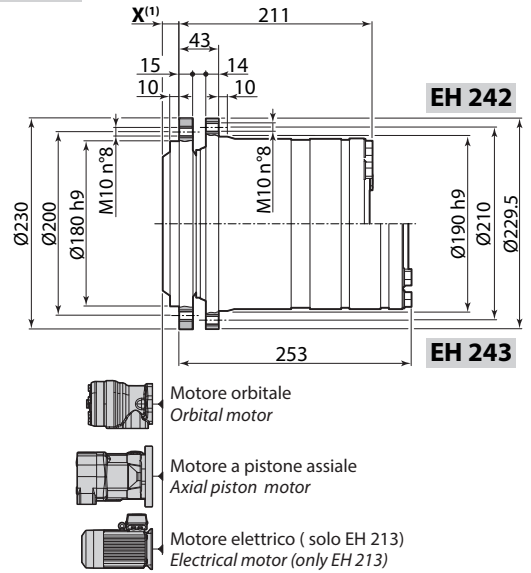


Tipo Type	kg		lt		i (da÷a / From÷to)		$T_2$ max [Nm]	$n_1$ max [rpm]
	EH 212	EH 213	EH 212	EH 213	EH 212	EH 213		
EH 210 S		40		1				
EH 210 SC	35		0.8		11 ÷ 29	41 ÷ 129	3950	3500
EH 210 PD		-		-				

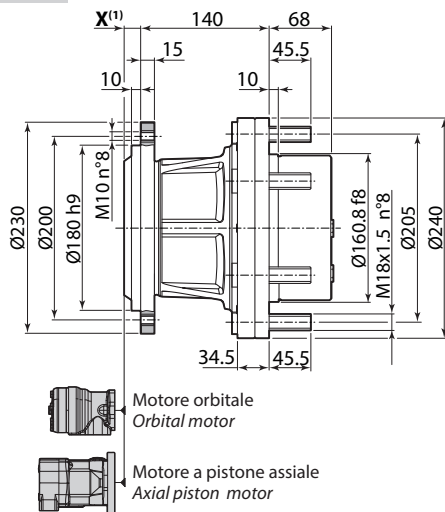
**EH 240 S**



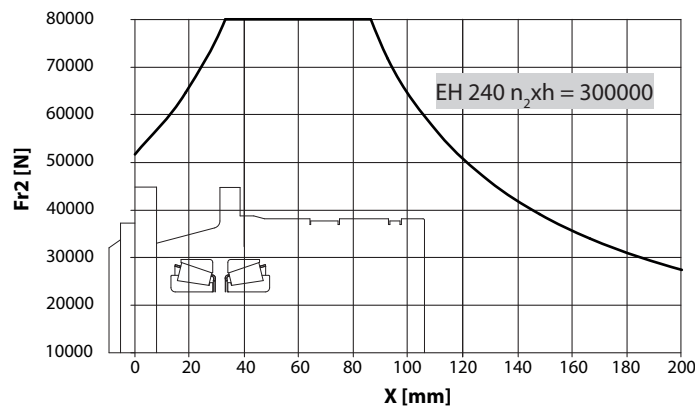
**EH 240 SC**



**EH 240 PD**

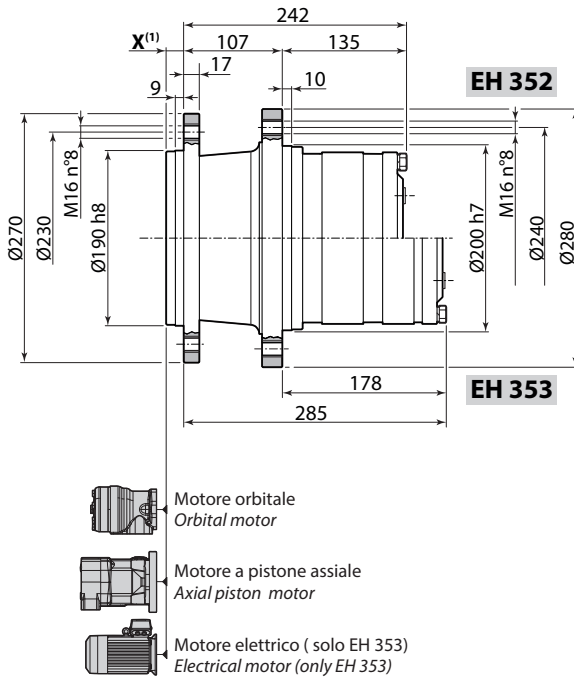


(1) Dipende dal tipo di motore  
*According to motor type*

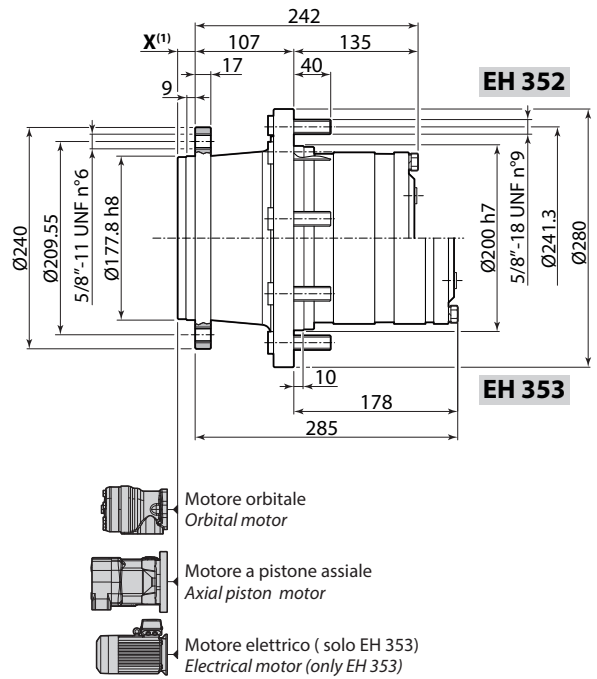


Tipo Type	kg		lt		i (da÷a / From÷to)		$T_2$ max [Nm]	$n_1$ max [rpm]
	EH 242	EH 243	EH 242	EH 243	EH 242	EH 243		
EH 240 S								
EH 240 SC	35	40	0.8	1	12 ÷ 31	45 ÷ 135	5600	3500
EH 240 PD		-		-				

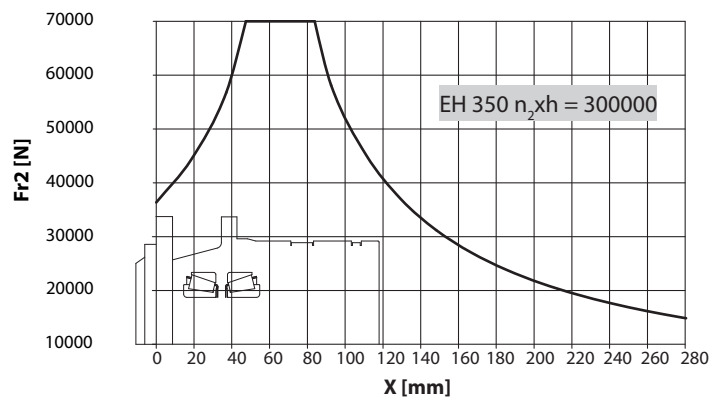
## EH 350 S



## EH 350 PD



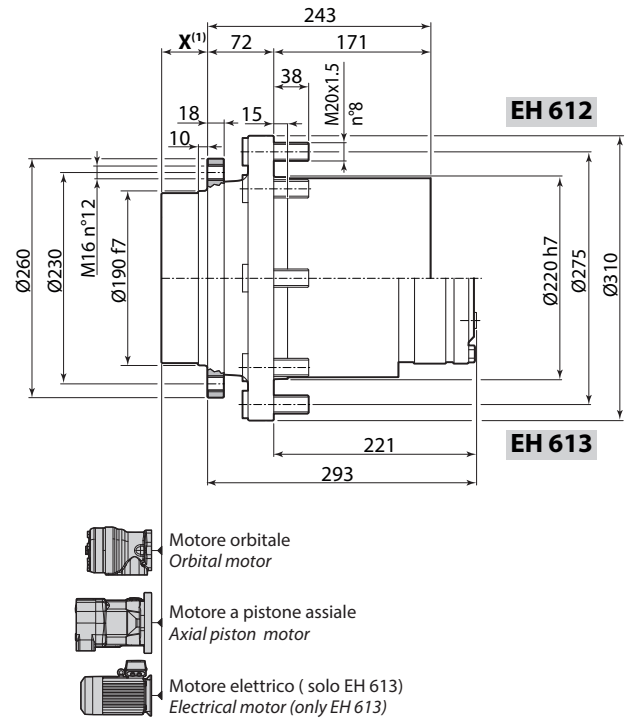
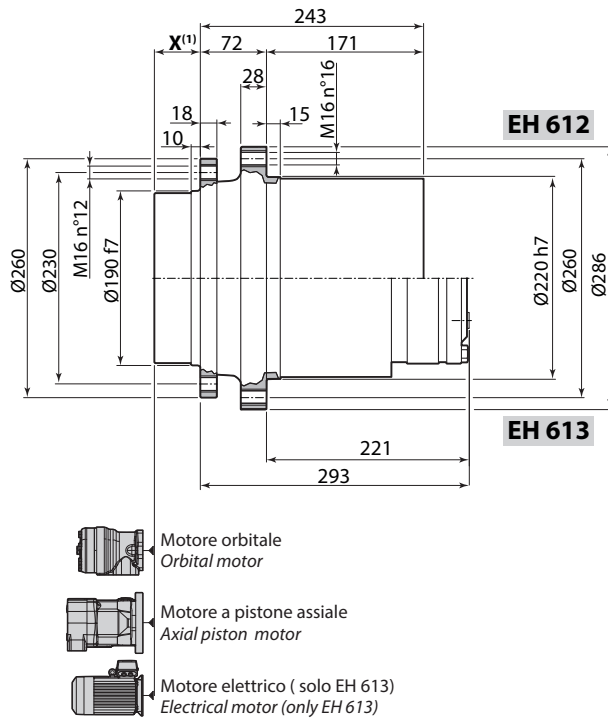
(1) Dipende dal tipo di motore  
*According to motor type*



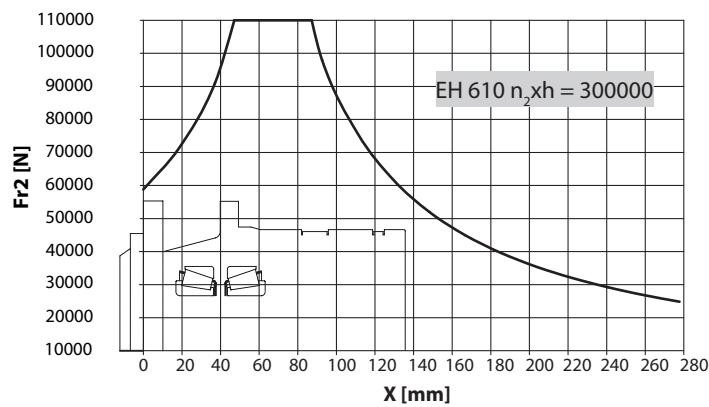
Tipo Type	kg		lt		i (da÷a / From÷to)		$T_2\ max$ [Nm]	$n_1\ max$ [rpm]
	EH 352	EH 353	EH 352	EH 353	EH 352	EH 353		
EH 350 S	55	60	1	1.2	15 ÷ 31	52 ÷ 135	7200	3500
EH 350 PD								

**EH 610 S**

**EH 610 PD**



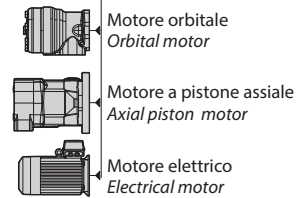
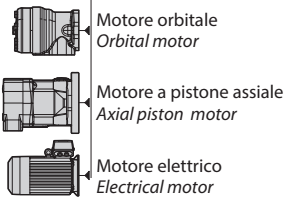
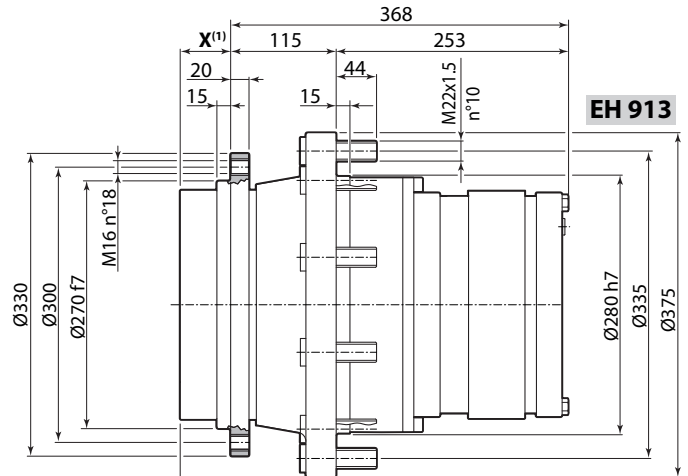
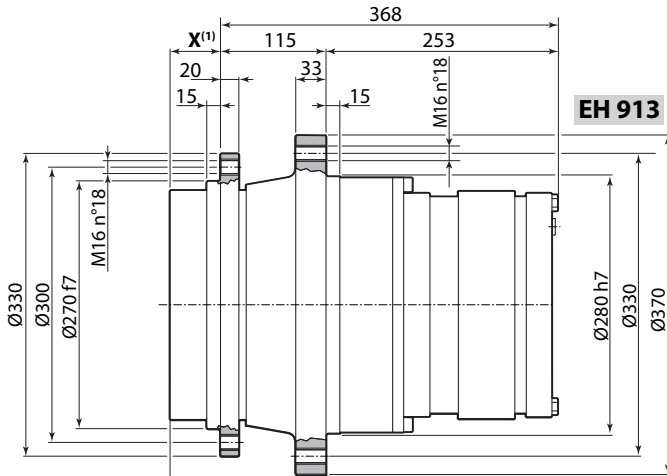
(1) Dipende dal tipo di motore  
According to motor type



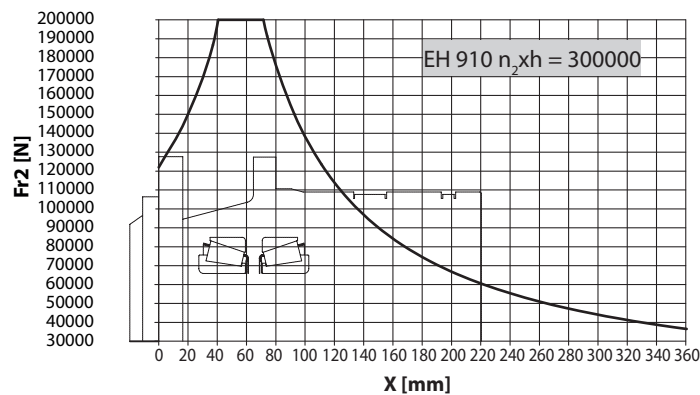
Tipo Type	kg		lt		i (da÷a / From÷to)		$T_2$ max [Nm]	$n_1$ max [rpm]
	EH 612	EH 613	EH 612	EH 613	EH 612	EH 613		
EH 610 S	60	70	1.2	1.5	12 ÷ 31	47 ÷ 138	13500	3500
EH 610 PD								

## EH 910 S

## EH 910 PD



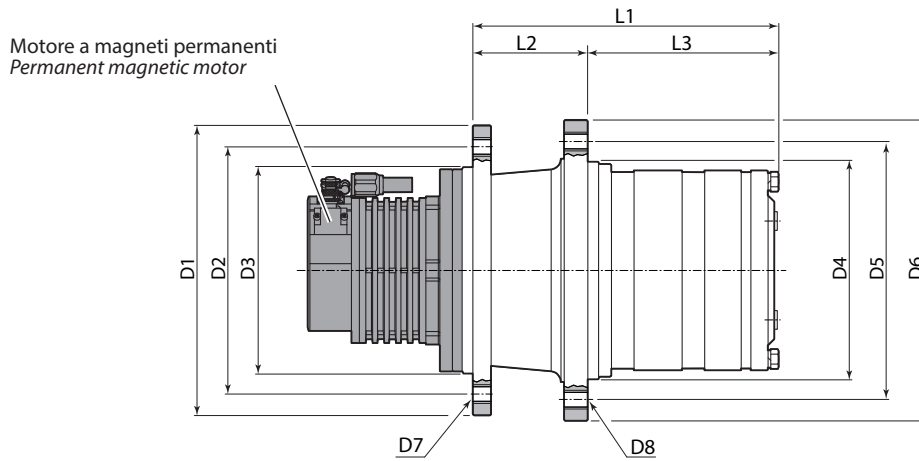
(1) Dipende dal tipo di motore  
According to motor type



Tipo Type	kg EH 913	lt EH 913	i (da÷a / From÷to) EH 913	T <sub>2</sub> max [Nm]	n <sub>1</sub> max [rpm]
EH 910 S	130	1	47 ÷ 131	24200	3500
EH 910 PD					

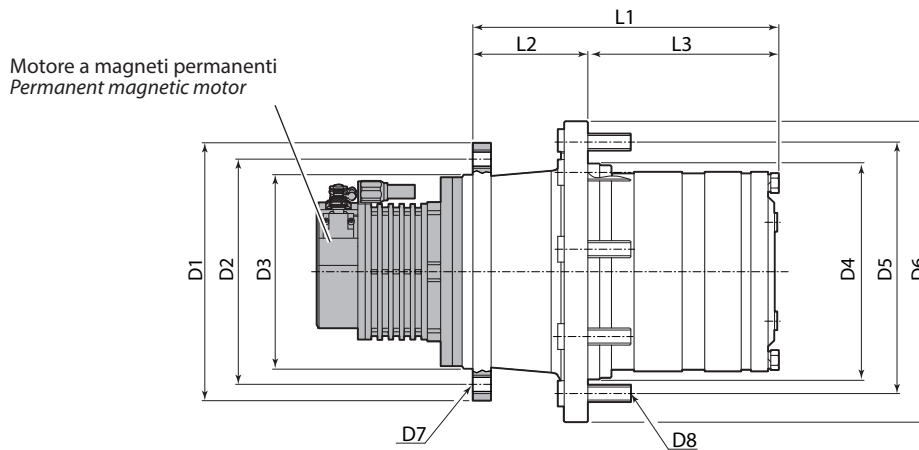


**S** Versione  
Version



Grandezza Size	Dimensioni / Dimensions										
	D1	D2	D3	D4	D5	D6	D7	D8	L1	L2	L3
<b>EH 210 S</b>	230	200	180 h9	190 h9	210	229.5	M10 n°8	M10 n°8	253	73	180
<b>EH 240 S</b>	230	200	180 h9	190 h9	210	229.5	M10 n°8	M10 n°8	253	73	180
<b>EH 350 S</b>	270	230	190 h8	200 h7	240	280	M16 n°8	M16 n°8	242	107	178
<b>EH 610 S</b>	260	230	190 f7	220 h7	260	286	M16 n°12	M16 n°16	243	72	171
<b>EH 910 S</b>	330	300	270 f7	280 h7	350	370	M16 n°18	M16 n°18	368	115	253

**PD** Versione  
Version



Grandezza Size	Dimensioni / Dimensions										
	D1	D2	D3	D4	D5	D6	D7	D8	L1	L2	L3
<b>EH 210 PD</b>	230	200	180 h9	160.8 f8	205	240	M10 (8x)	M18x1.5 (6x)	210	140	70
<b>EH 240 PD</b>	230	200	180 h9	160.8 f8	205	240	M10 (8x)	M18x1.5 (6x)	210	140	70
<b>EH 350 PD</b>	240	209.55	177.8 h8	200 h7	241.3	280	5/8"-11 UNC (6x)	5/8"-19 UNF (9x)	285	107	178
<b>EH 610 PD</b>	260	230	190 f7	220 h7	275	310	M16 (12x)	M20x1.5 (8x)	293	72	221
<b>EH 910 PD</b>	330	300	270 f7	280 h7	335	375	M16 (18x)	M22x1.5 (10x)	368	115	253

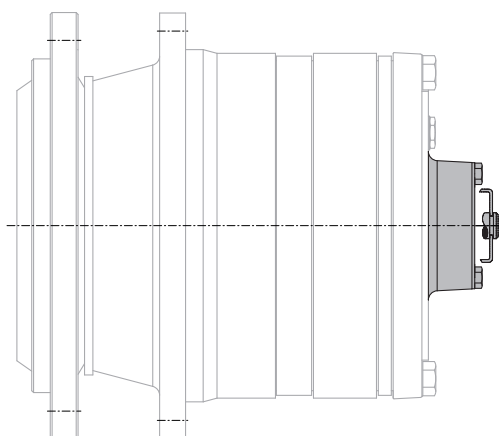
## Disinnesto meccanico / Mechanical disengagement

I riduttori ruota EH possono essere dotati di disinnesto meccanico per rendere trainabile il veicolo sui quali sono installati

*EH wheel gearboxes can be equipped with a release device to allow the vehicle to be towed*

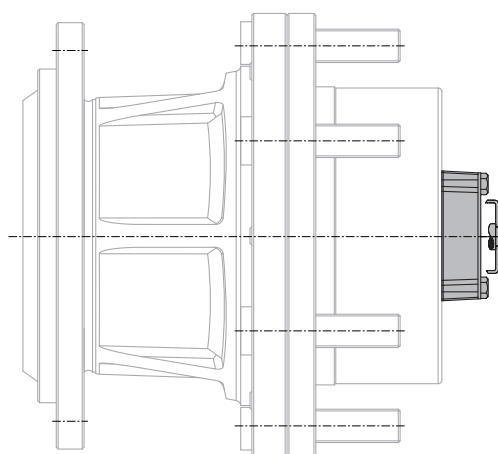
**S**

Versione  
Version

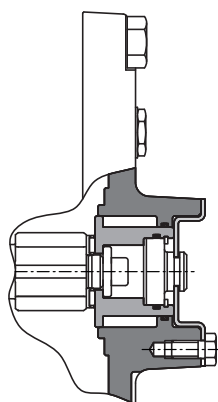


**PD**

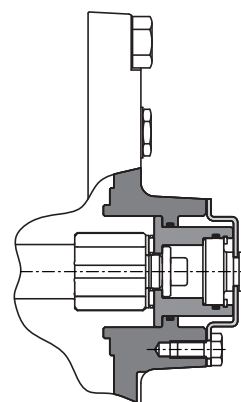
Versione  
Version



Libero  
*Engaged*



Bloccato  
*Disengaged*



Dinamic Oil reserves the right to implement modifications without notice.  
This catalogue cannot be reproduced, even partially, without prior consent.

Coordination: Marketing Department Dinamic Oil  
3 Technical Drawings: Procedi s.r.l. Bologna

**Dinamic Oil S.p.A.**

Via Togliatti,15  
41030 Bomporto - MO - Italy  
T: +39 059 812611  
F: +39 059 812603  
E: info@dinamicoil.it  
dinamicoil.com

**Dinamic Oil Deutschland GmbH**

Frankfurter Straße 151 b  
D - 63303 Dreieich-Sprendlingen  
T: +49 (0) 6103 2024593  
F: +49 (0) 6103 8077239  
E: verkauf@dinamicoil.de  
dinamicoil.com/deutschland

**Dinamic Oil (Shanghai)  
Machinery Co., Ltd.**

Building 2, N°128 Lane 168 Dieqiao Rd.  
Kangqiao Industry Park Pudong  
201319 Shanghai – China  
T: 0086 21 6818 7100  
F: 0086 21 6818 7107  
E: info@dinamicoil.com.cn  
dinamicoil.com/china

**Dinamic Oil India Pvt. Ltd.**

Plot no.5 - Sector-16, HSIIDC  
124507 Bahadurgarh Haryana  
New Delhi - India  
T: +91 8800211855  
E: india@dinamicoil.com  
dinamicoil.com/india

**Dinamic Oil Triveneto**

Via Enrico Toti, 48  
40500 Rovigo - Italy  
T: +39 340 7745 664  
F: +39 059 812603  
E: a.coltro@dinamicoil.it  
dinamicoil.com/triveneto

**Dinamic Oil Norway A/S**

Lindebergveien, 3  
2016 Frogner - Norway  
T: +47 63 82 50 40  
E: DinamicOil.Norway@dinamicoil.com  
dinamicoil.com/norway

**戴纳密克 (上海) 机械有限公司**

中国上海浦东康桥工业园区  
叠桥路168弄128号2栋1楼  
邮编 : 201319  
电话 : 0086 21 6818 7100  
传真 : 0086 21 6818 7107  
邮件 : info@dinamicoil.com.cn  
dinamicoil.com/china

**Dinamic Oil France**

ZI Montbertrand BP 3612  
38236 Charvieu Cedex - France  
T: +33 (0) 472 462 318  
F: +33 (0) 472 462 327  
E: dinamicoil@orange.fr  
dinamicoil.com/france

**Dinamic Oil North America Inc.**

4725 Entrance Drive - Suite A  
Charlotte - NC - 28273 - USA  
T: +1 704 587 4600  
F: +1 980 939 6297  
E: info.usa@dinamicoil.com  
dinamicoil.com/northamerica

**Dinamic Oil Asia Pacific Pte. Ltd.**

47L Tuas South Avenue,1  
637249 - Singapore  
T: +65 6791 0802  
F: +65 6791 2661  
E: sales@dinamicoilap.com.sg  
dinamicoil.com/asia