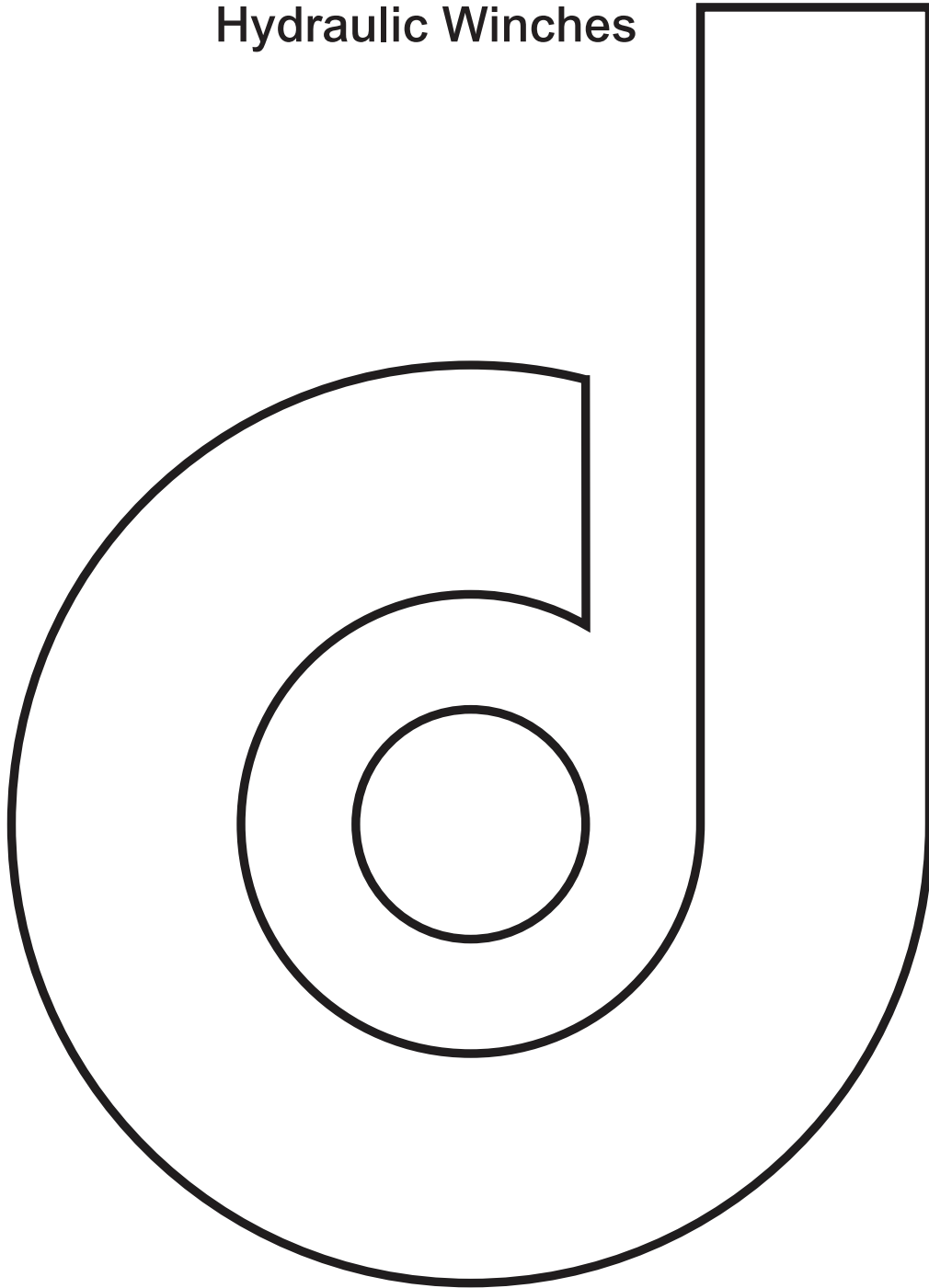
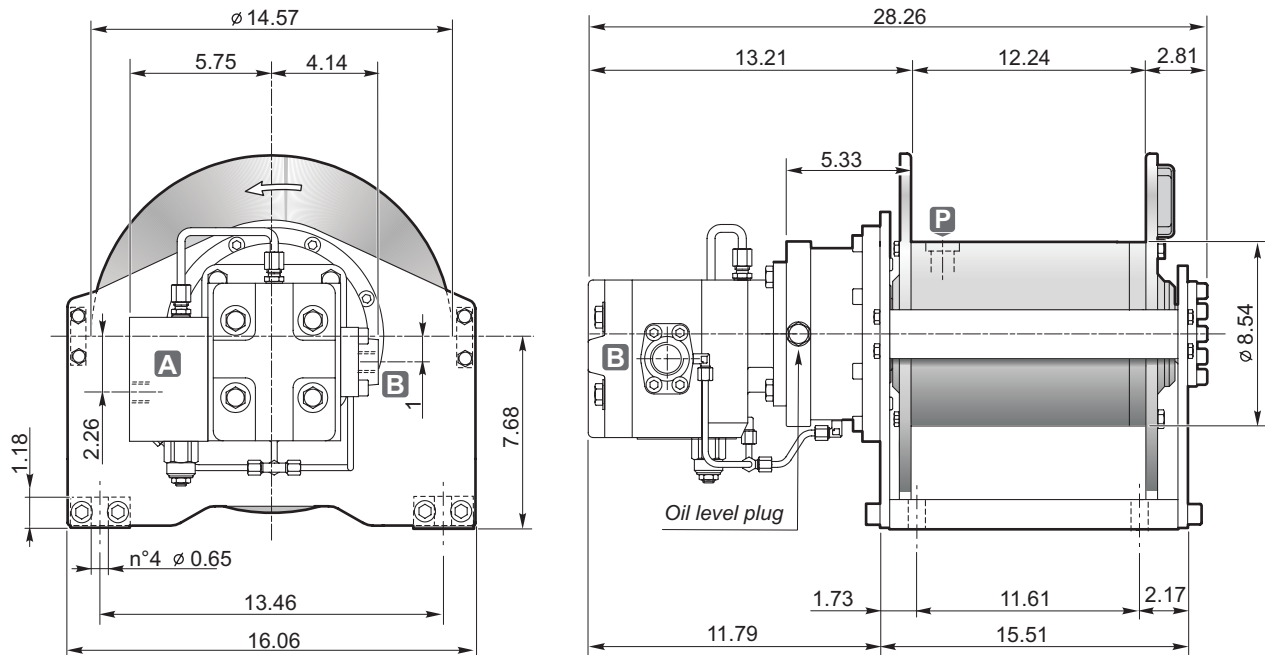


# Hydraulic Winches



# A81-5



**Performance info: 21:1 ratio - 5.14 cu.in. disp. - 3000 PSI**

Layer	n	1	2	3	4	5	6
Line pull	[lbs]	8000	7200	6500	6000	5500	5100
Line speed @ 45 GPM	[fpm]	195	216	238	260	281	303
Line speed @ 65 GPM	[fpm]	282	313	344	376	407	438

Above specifications based on 1/2" wire rope diameter

<b>A</b> Hoisting port	1" 5/16-12 THD SAE-16 ORB	<b>P</b> Lubrication oil plug	3/8" BSP	Weight 330
<b>B</b> Lowering port				

Rope Dia. [in]	Rope storage capacity [FT]						D/d
	Layer						
	1	2	3	4	5	6	
7/16"	63	132	208	290	377	472*	20.4
1/2"	55	117	184	258	338	424*	18.0

\* This layer does not comply with ANSI spec. B30.7

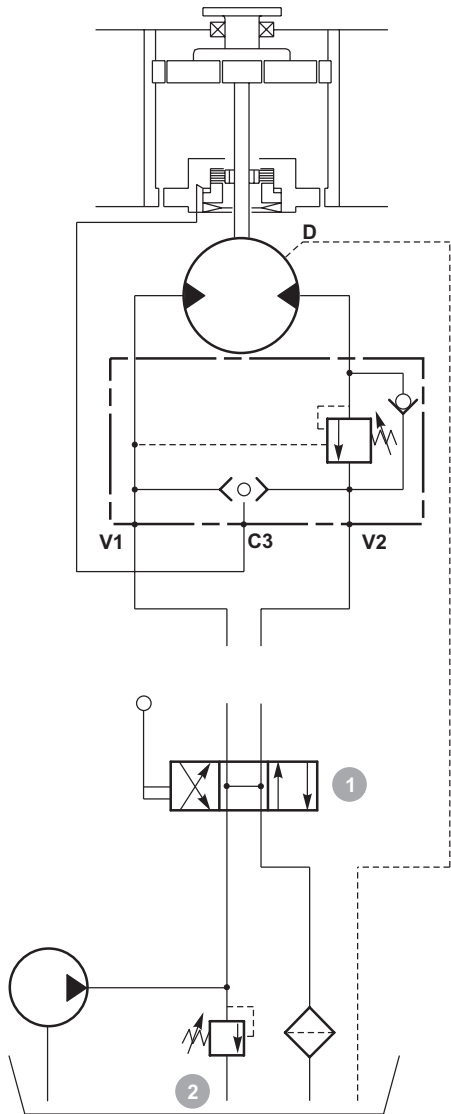
- Standard hoisting drum rotation is counterclockwise (clockwise on request). Winch rotation is defined when viewing the motor.
- Load control when lowering is achieved by the overcentre brake valve to ensure smooth performance.
- Operation of the internal negative static multi disc brake is automatic. Static brake torque is: 361 ft-lbs.
- Maximum back pressure on the return line : 72.5 PSI.
- Always keep at least 4 wraps of cable on the drum for safety reasons.
- Gear lubrication is achieved by splash oil bath.
- Gear lubricant - hydraulic oil 0.75 gal.
- Technical Specifications are subject to change without prior notice from manufacturer.

PERSONNEL HANDLING APPLICATIONS ON REQUEST

## HYDRAULIC WINCH SYSTEM

**V1** Lowering Line  
**V2** Hoisting Line  
**C3** Brake Connection  
**D** Drain line Connection

① Open Center Control Valve  
 ② Max Pressure Relief Valve

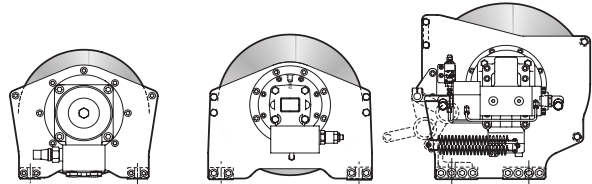


## INSTALLATION

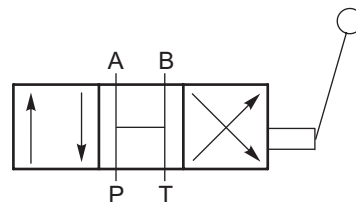
- 1) Mount the winch on a surface of adequate thickness and flatness and shim if over 0.020" out.
- 2) Select the delivery, return and drain line sizes proportional to the oil flow.
- 3) Connection ports on the valve are marked as follows:

**A** V2 = Hoisting Line

**B** V1 = Lowering Line; max. allowable back pressure must be > 14.5 PSI and < 72.5 PSI.



- 4) Hoisting rotation must be specified on your order. It is forbidden and dangerous to invert the A and B lines to adjust the hoisting rotation.
- 5) **D** D = drain line where stated, must always be connected directly to tank.
- 6) To ensure correct cable installation onto the drum, follow the instructions in the installation manual.
- 7) Use only open centre control valves to operate the winch. If a stack valve is used, use the valve closest to the return line to tank to control the winch. Connect V2 to the A port on the open centre control valve (as shown in the picture). V1 connects to the B port.



- 8) Proper hydraulic oil filtration must be provided to ensure correct winch operation. (suggested oil filtration 10 micron, max 25).
- 9) It is recommended to operate the winch, without load for 5 minutes with max flow and no cable during the start up period. Carry out the first lift under load to a max height of 3 feet.
- 10) Follow technical data stated in DINAMIC OIL documentation.
- 11) The system pressure relief valve must be set 435 PSI over the working pressure value shown on the technical data sheet for each winch.
- 12) Winches are not intended to lift people.
- 13) If the specifications and recommendations above are not adhered to, we will decline all warranty claims.

---

**@; 5 @BCH9G**

All information in this catalogue has been checked; in case of possible mistakes, we decline all responsibility.

Dinamic Oil reserves the right to amend the technical data of this catalogue without prior notice.

For all further information please contact Dinamic Oil S.p.A. Commercial Department.





DINAMIC OIL S.p.A.  
Via Togliatti, 15 - 41030 - Bomporto - Modena - Italy  
Phone: +39 059 812611 / Fax: +39 059 812600  
E-mail: sales@dinamicoil.it - www.dinamicoil.com

DINAMIC OIL FRANCE  
ZI Montbertrand BP 3612 - 38236 Charvieu Cedex - France  
Phone: +33 (0) 472-46-23-18 / Fax: +33 (0) 472-46-23-27

DINAMIC OIL DEUTSCHLAND GmbH  
Frankfurter Straße 151 b - D - 63303 Dreieich-Sprendlingen  
Phone: +491736927478

DINAMIC OIL NORWAY A/S  
Lindebergveien, 3 - 2016 Frogner  
Office: +47 63825040 - Fax: +47 63825041 - Norway

DINAMIC OIL NORTH AMERICA INC.  
511 Eagleton Downs Drive - Charlotte - NC - 28134 - USA  
Phone: +1-704-587-4600 / Fax: +1-980-939-6297

DINAMIC OIL INDIA PVT LIMITED  
Plot N°1295 a MIE Industrial Area Part B Bahadurgarh - Haryana 124507 - India  
Phone: 0091 1276 267294 / 0091 1276 267295 - Fax: 0091 1276 267295 / 0091 1125 287537

DINAMIC OIL (Shanghai) Machinery Co.Ltd.  
Building 2 No.128 Lane 168 Dieqiao Rd. Kangqiao Industry Park - Pudong - Shanghai - China  
Zip Code: 201319 Phone 0086 21 68187100 Fax 0086 21 68187107

DINAMIC OIL ASIA PACIFIC Pte LTD  
47L Tuas South Avenue 1 - Singapore 637249  
Phone: +65-67910802 - Fax: +65-67912661